

High-tech extrusion

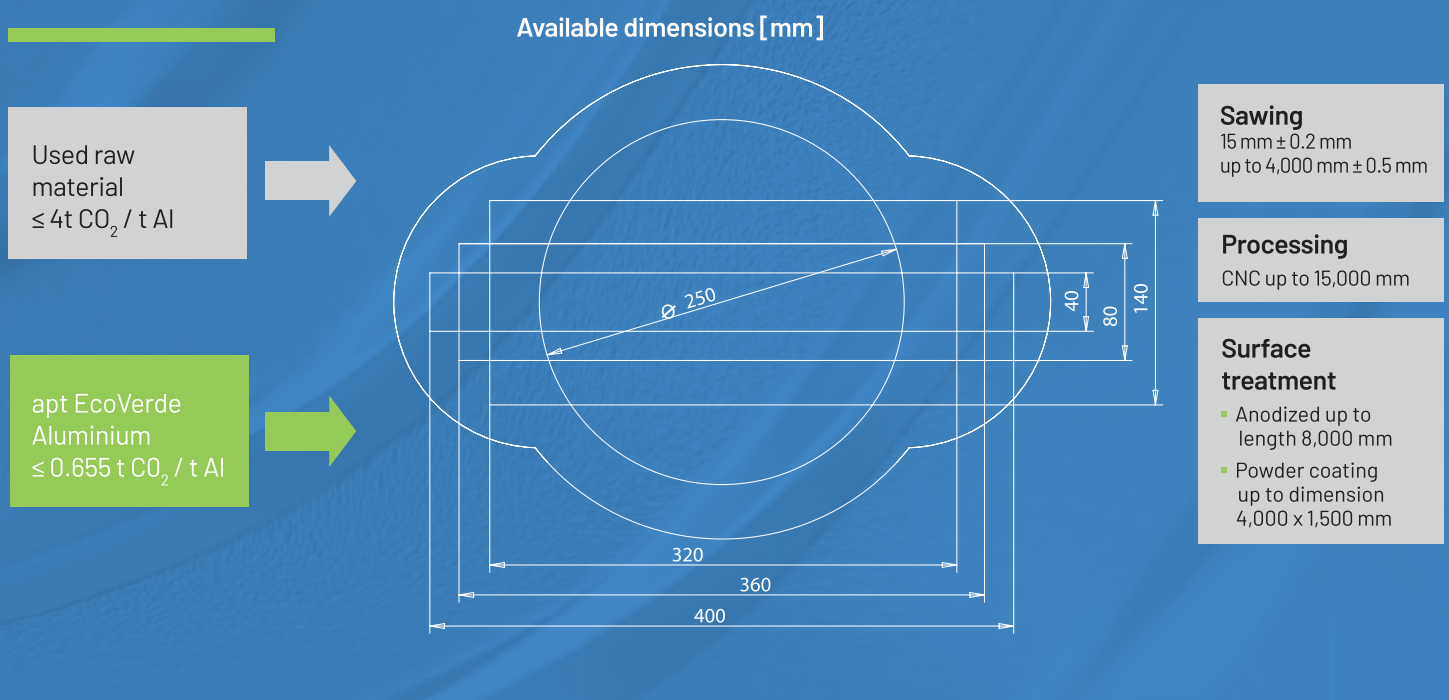
We get aluminium on the right track.

Complex shapes, precise results - apt is your partner for aluminium extrusion. Our knowledge, innovative, and fully automated process technology enable us to process aluminium into high-quality profiles.

Facts and figures

Number of presses	Press sizes	Locations of presses	Production capacity p. a.
6	8 – 35 MN	2 sites	80,000 t
Lengths	Profile widths in-house	Weight	Alloys EN AW-...
bis 15,000 mm	up to 400 mm	0,1 kg / m to 25 kg / m	6060, 6063 6005A, 6082

Extrusion



Excellent and sustainable product quality



Building & Construction

- Agricultural systems
- Decorative elements
- Facade design
- Facade cladding
- Windows and doors
- Solar systems
- Sun protection
- Winter gardens



Industry

- Electrical engineering
- Heat sinks
- Mechanical and apparatus engineering
- Medical technology
- Motor housings



Automotive

- Car roof systems and accessories
- Battery housings and sub-assemblies
- Guide rails
- Lightweight components
- Structural components



Transport

- Sub-assemblies
- Lightweight components
- LiteFlap® (bus flap)
- Truck trailers
- Car trailers
- Door frames

